

PRODUCT SERIES SPECIFICATIONS

Series: NSH

Category: General Purpose

Pressure: Vacuum to 120 psi, 8.3 bar

Temperature: 32°F-120°F (0°C-49°C)

Spillage & Air Inclusion:

 <math>< < 0.03</math> cc per disconnect
<math>< 0.42</math>cc per connect

Material Compliance

Reach: Compliant

RoHS: Compliant

For more information see cpcworldwide.com or contact us at cpcworldwide.com/ContactUs

Interactive 3D graphic, click to activate and rotate.

NSH Series couplings are general purpose versions of our pressure-balanced, non-spill, ChemQuik CQG06 couplings. Molded polypropylene, EPDM seals and a 100% springless and metal-free flow path provide broad chemical resistance and exceptionally high flow capacity, allowing instant disconnects (and reconnects), even under pressure. Their non-spill design virtually eliminates spills, minimizes downtime and enhances operator safety in a very low cost package.

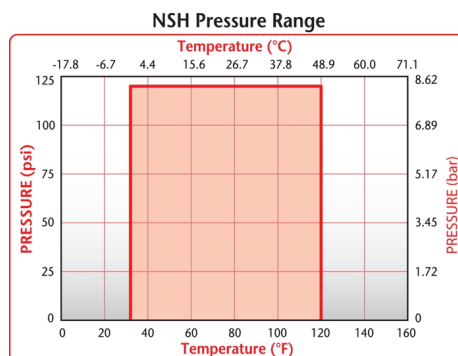
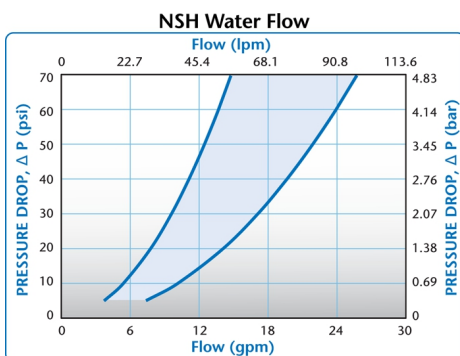
Features - Benefits

Non-spill design - Ultimate protection from chemicals and fumes

Pressure-balanced design - Failsafe disconnect, even under pressure; easy to reconnect at high pressure

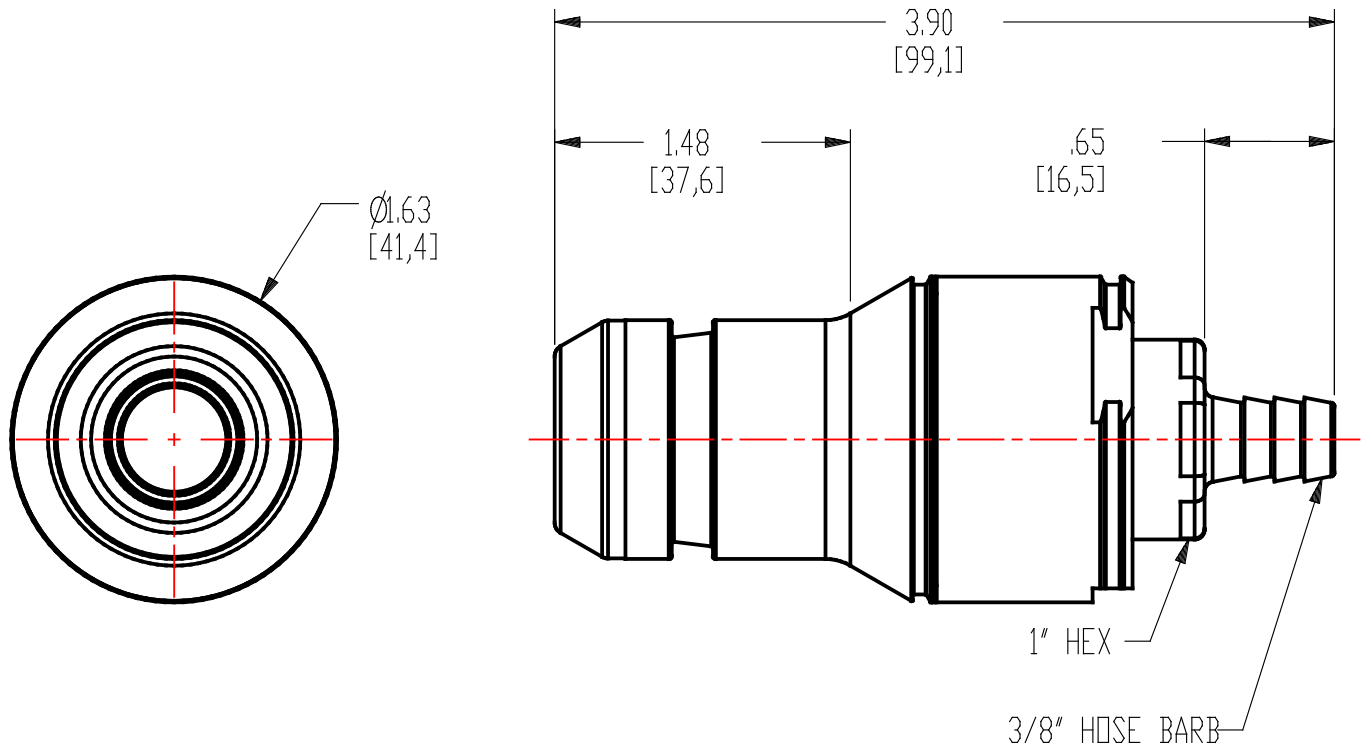
Springless flow path design - Eliminates source of metallic contaminants

Optional color coding - Helps prevent accidental misconnects



These graphs are intended to give you a general idea of the performance capabilities of each product line. Contact CPC for flow of a particular coupling combination.

Technical details:



Description: 3/8" Hose Barb Valved In-Line Coupling Insert

Materials:

Main Components: Glass filled polypropylene

Seals: EPDM

Valve: Glass filled polypropylene

Valve Spring: Stainless Steel (non-wetted)

Standard Packaging Quantity: 5