

## PRODUCT SERIES SPECIFICATIONS

**Series:** NSH

**Category:** General Purpose

**Pressure:** Vacuum to 120 psi, 8.3 bar

**Temperature:** 32°F-120°F (0°C-49°C)

**Spillage & Air Inclusion:** <br> <br> <math>< < 0.03</math> cc per disconnect<br><math>< 0.42</math>cc per connect

**Material Compliance**

**Reach:** Compliant

**RoHS:** Compliant

For more information see [cpcworldwide.com](http://cpcworldwide.com) or contact us at [cpcworldwide.com/ContactUs](http://cpcworldwide.com/ContactUs)

Interactive 3D graphic, click to activate and rotate.

**NSH Series couplings** are general purpose versions of our pressure-balanced, non-spill, ChemQuik CQG06 couplings. Molded polypropylene, EPDM seals and a 100% springless and metal-free flow path provide broad chemical resistance and exceptionally high flow capacity, allowing instant disconnects (and reconnects), even under pressure. Their non-spill design virtually eliminates spills, minimizes downtime and enhances operator safety in a very low cost package.

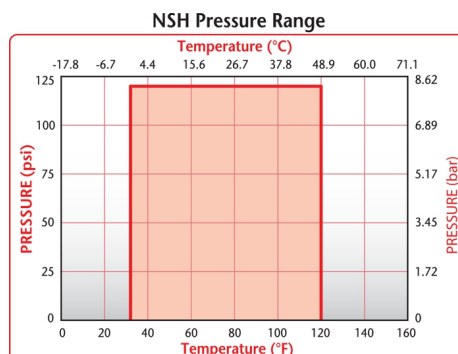
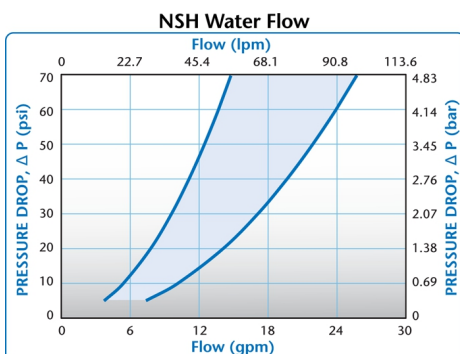
## Features - Benefits

Non-spill design - Ultimate protection from chemicals and fumes

Pressure-balanced design - Failsafe disconnect, even under pressure; easy to reconnect at high pressure

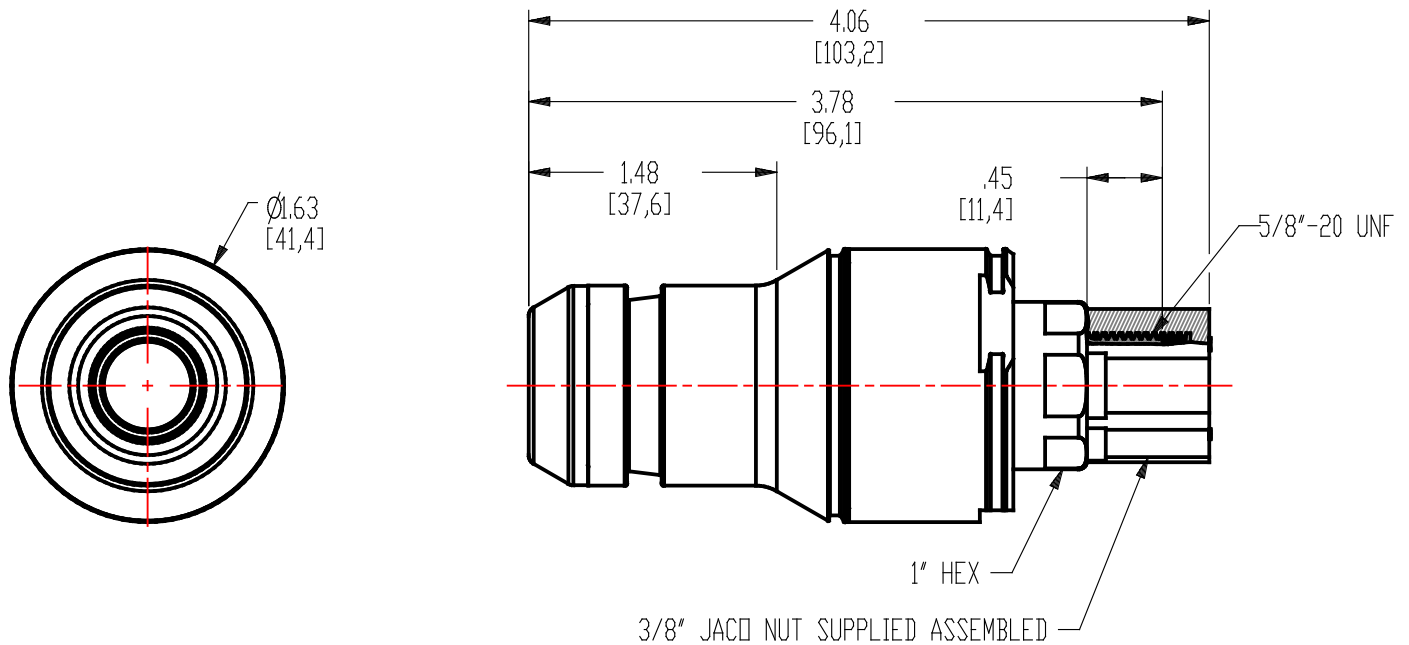
Springless flow path design - Eliminates source of metallic contaminants

Optional color coding - Helps prevent accidental misconnects



These graphs are intended to give you a general idea of the performance capabilities of each product line. Contact CPC for flow of a particular coupling combination.

**Technical details:**



**Description:** 3/8" JACO Valved In-Line Coupling Insert

**Materials:**

**Main Components:** Glass filled polypropylene

**Seals:** EPDM

**Valve:** Glass filled polypropylene

**Valve Spring:** Stainless Steel (non-wetted)

**Others:** White polypropylene compression nut

**Standard Packaging Quantity:** 5