

## PRODUCT SERIES SPECIFICATIONS

**Series:** NS4

**Category:** General Purpose

**Pressure:** Vacuum to 120 psi, 8.3 bar

**Temperature:** 32°F-160°F (0°C-71°C)

**Spillage & Air Inclusion:** <br> <br> <0.10cc per disconnect<br> 0.26cc per connect

**Material Compliance**

**Reach:** Compliant

**RoHS:** Compliant

For more information see [cpcworldwide.com](http://cpcworldwide.com) or contact us at [cpcworldwide.com/ContactUs](http://cpcworldwide.com/ContactUs)

*Interactive 3D graphic, click to activate and rotate.*

**NS4 Series couplings** feature non-spill valves in a compact size, at a great price. Use the NS4 when even a few drops pose problems regarding safety, media cost or environmental regulations. These innovative couplings are lightweight, chemically resistant and easy to use. The non-spill design effectively eliminates spills, minimizes downtime and enhances operator safety. NS4 couplings are also available with optional RFID (Radio Frequency Identification) capability.

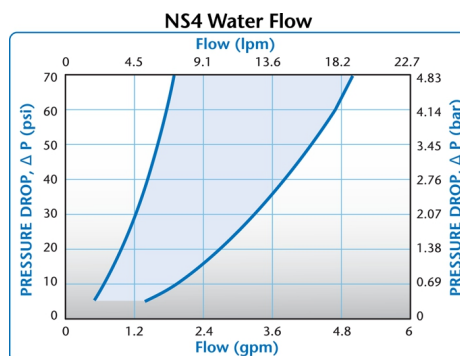
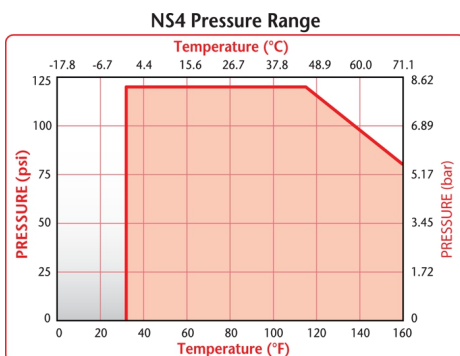
### Features - Benefits

Non-spill design - Disconnect under pressure with no spills

Color coding - Instant visual differentiation of media lines

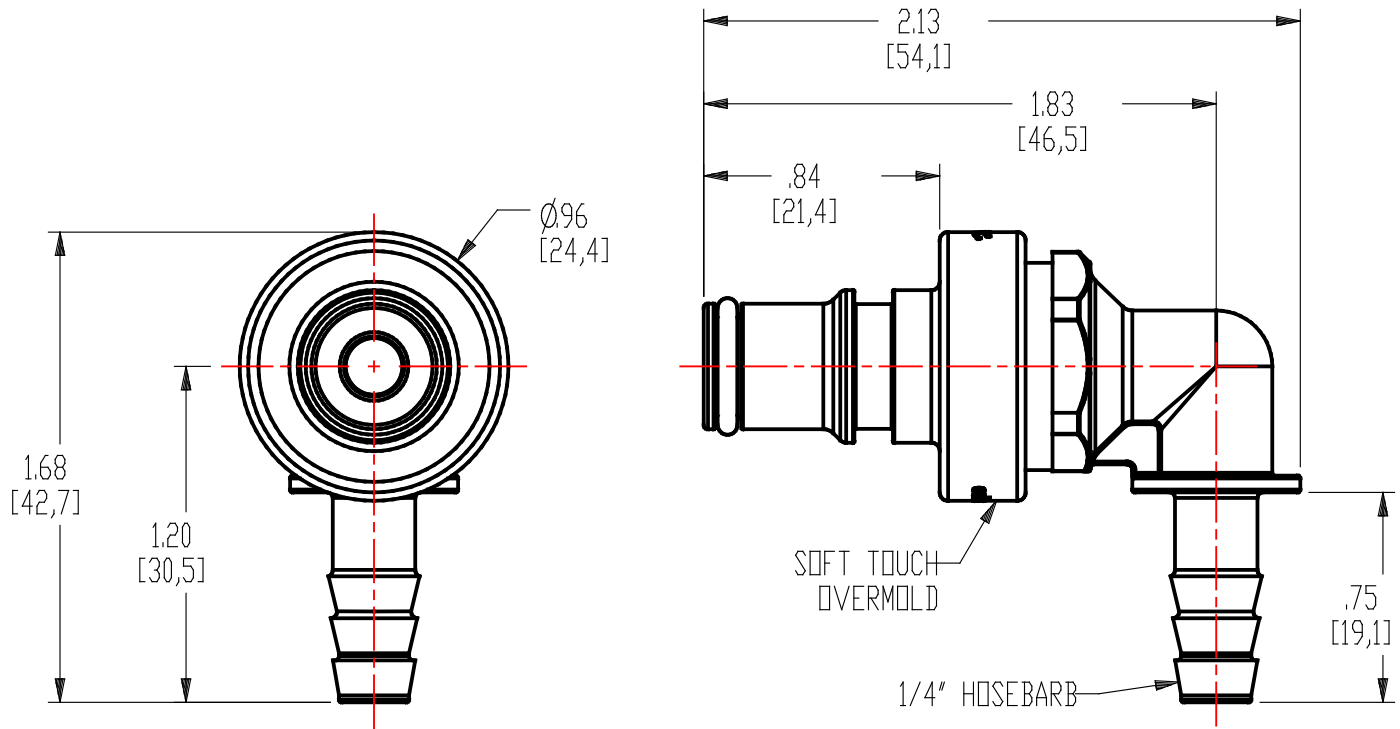
Glass-filled polypropylene - Durable and compatible with many chemicals

Medical-grade - ABS Gamma sterilizable



These graphs are intended to give you a general idea of the performance capabilities of each product line. Contact CPC for flow of a particular coupling combination.

**Technical details:**



**Description:** 1/4" Hose Barb Valved Elbow Coupling Insert

**Materials:**

**Main Components:** Glass filled Gray Polypropylene with Dark Gray TPV over mold

**Valve:** Glass filled Gray Polypropylene

**Valve Spring:** Stainless Steel

**Seals:** EPDM

**Standard Packaging Quantity:** 25