

PRODUCT SERIES SPECIFICATIONS

Series: NS4

Category: General Purpose

Pressure: Vacuum to 120 psi, 8.3 bar

Temperature: 32°F-160°F (0°C-71°C)

Spillage & Air Inclusion:

 <math>< 0.10\text{cc}</math> per disconnect
 0.26cc per connect

Material Compliance

Reach: Compliant

RoHS: Compliant

For more information see cpcworldwide.com or contact us at cpcworldwide.com/ContactUs

Interactive 3D graphic, click to activate and rotate.

NS4 Series couplings feature non-spill valves in a compact size, at a great price. Use the NS4 when even a few drops pose problems regarding safety, media cost or environmental regulations. These innovative couplings are lightweight, chemically resistant and easy to use. The non-spill design effectively eliminates spills, minimizes downtime and enhances operator safety. NS4 couplings are also available with optional RFID (Radio Frequency Identification) capability.

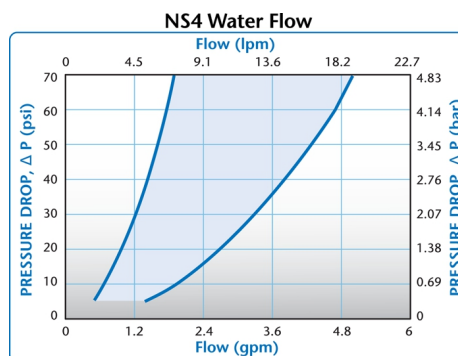
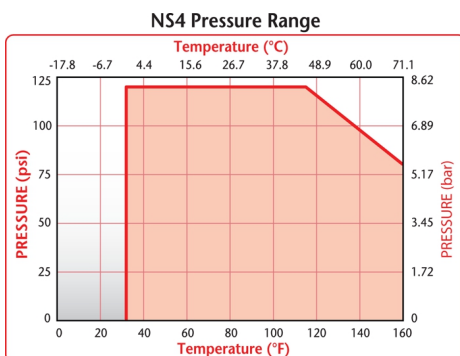
Features - Benefits

Non-spill design - Disconnect under pressure with no spills

Color coding - Instant visual differentiation of media lines

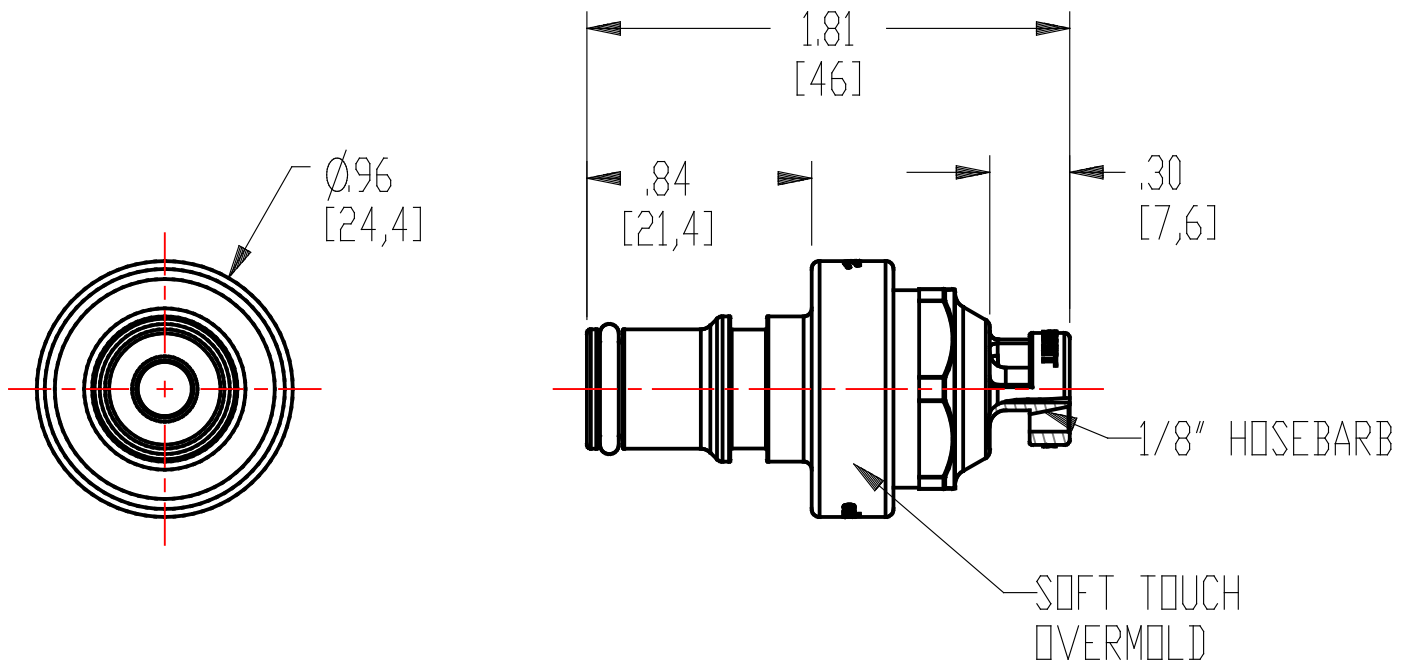
Glass-filled polypropylene - Durable and compatible with many chemicals

Medical-grade - ABS Gamma sterilizable



These graphs are intended to give you a general idea of the performance capabilities of each product line. Contact CPC for flow of a particular coupling combination.

Technical details:



Description: 1/8" Hose Barb Valved In-Line Coupling Insert

Materials:

Main Components: Glass filled Gray Polypropylene with Dark Gray TPV over mold

Valve: Glass filled Gray Polypropylene

Valve Spring: Stainless Steel

Seals: EPDM

Standard Packaging Quantity: 25