

PRODUCT SERIES SPECIFICATIONS

Series: LQ6

Category: General Purpose

Pressure: Vacuum to 120 psi, 8.3 bar

Temperature: 0°F-240°F (-17°C-115°C)

Spillage & Air Inclusion:
0.03 cc per disconnect at 0 psi
0.03 cc per disconnect rated at 120 psi
Inclusion 0.04 cc per connect

Material Compliance

Reach: Compliant

RoHS: Compliant

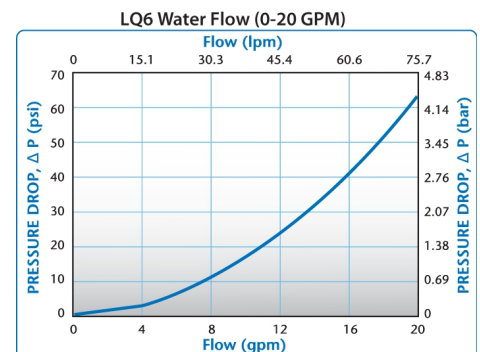
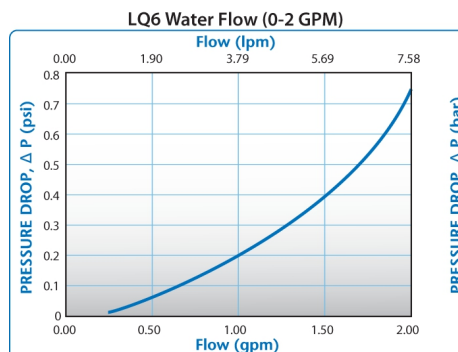
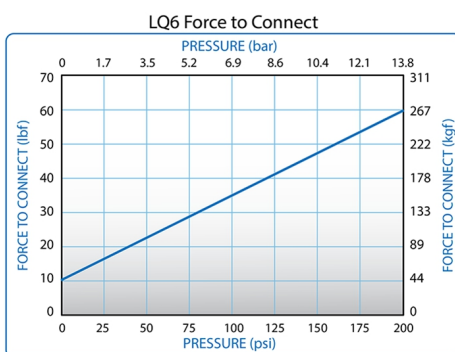
For more information see cpcworldwide.com or contact us at cpcworldwide.com/ContactUs

Interactive 3D graphic, click to activate and rotate.

LQ6 Series couplings closed-system design provides ultra-reliable, dripless connections and disconnections. The first of their kind, the couplings utilize patent-pending valve technology specifically designed for liquid cooling applications.

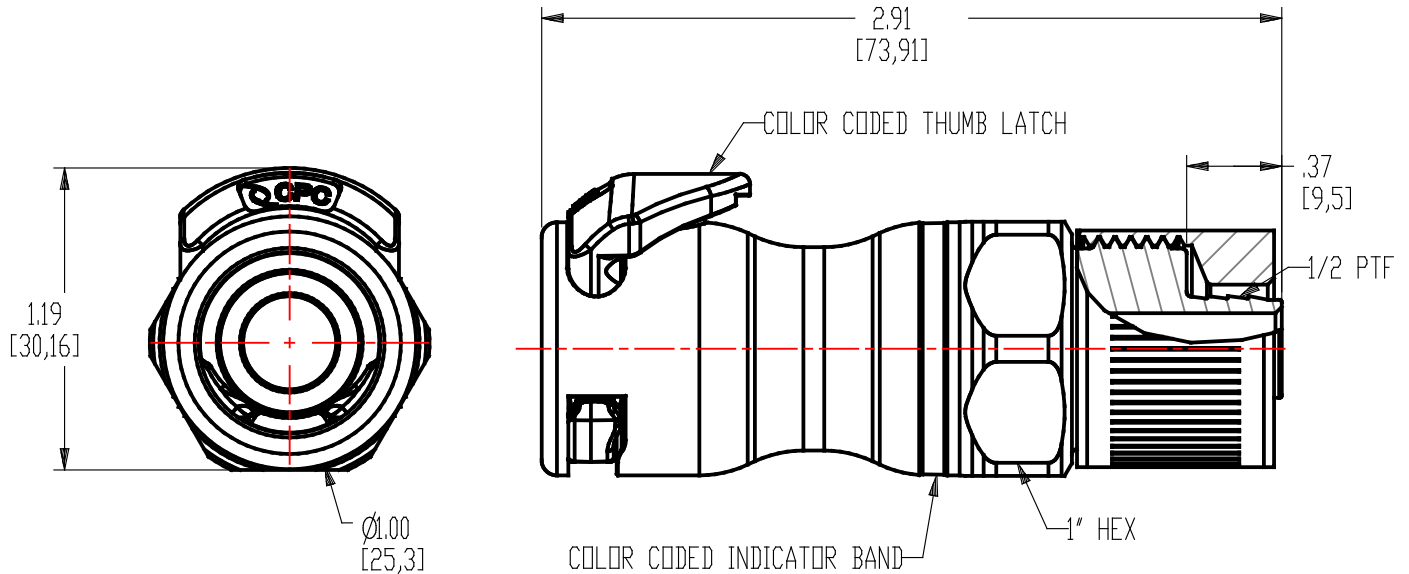
Features - Benefits

- Non-spill design - Disconnect under pressure with no spills
- Redundant sealing when connected - Extra protection from leaks
- Color-coding - Instant visual difference in cooling lines
- Friction-free valve - Valving system designed for extended periods in connected state
- Enhanced latch design - Easy to see orientation on manifolds and tubing
- Lower ergonomic profile - Meets size requirements for space-constrained electronics



These graphs are intended to give you a general idea of the performance capabilities of each product line. Contact CPC for flow of a particular coupling combination.

Technical details:



Description: 3/8" PTF Valved In-Line Liquid Cooling Body, Cool Blue

Materials:

Main Components: Chrome Plated Brass

Valve: Natural Polysulfone

Thumb Latch: Blue Polysulfone

Valve Spring: Stainless Steel

External Spring: Stainless Steel

Seals: EPDM

Others: Blue Polysulfone Indicator Band

Standard Packaging Quantity: 10