

## PRODUCT SERIES SPECIFICATIONS

**Series:** LQ6

**Category:** General Purpose

**Pressure:** Vacuum to 120 psi, 8.3 bar

**Temperature:** 0°F-240°F (-17°C-115°C)

**Spillage & Air Inclusion:** <br>0.03 cc per disconnect at 0 psi<br>0.03 cc per disconnect rated at 120 psi<br>Inclusion 0.04 cc per connect

**Material Compliance**

**Reach:** Compliant

**RoHS:** Compliant

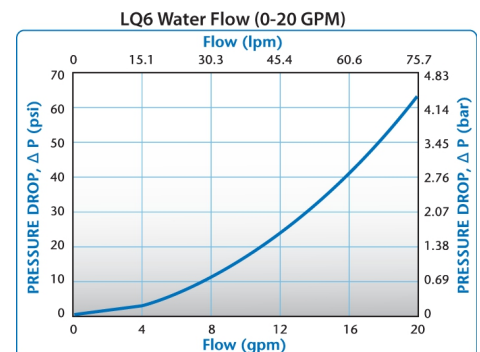
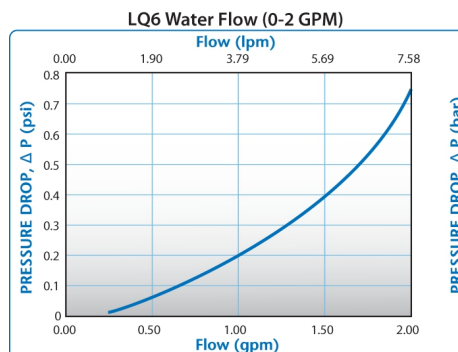
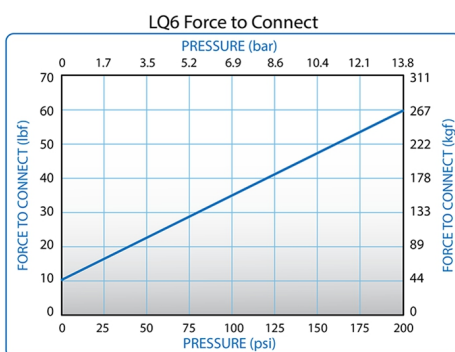
For more information see [cpcworldwide.com](http://cpcworldwide.com) or contact us at [cpcworldwide.com/ContactUs](http://cpcworldwide.com/ContactUs)

*Interactive 3D graphic, click to activate and rotate.*

**LQ6 Series couplings** closed-system design provides ultra-reliable, dripless connections and disconnections. The first of their kind, the couplings utilize patent-pending valve technology specifically designed for liquid cooling applications.

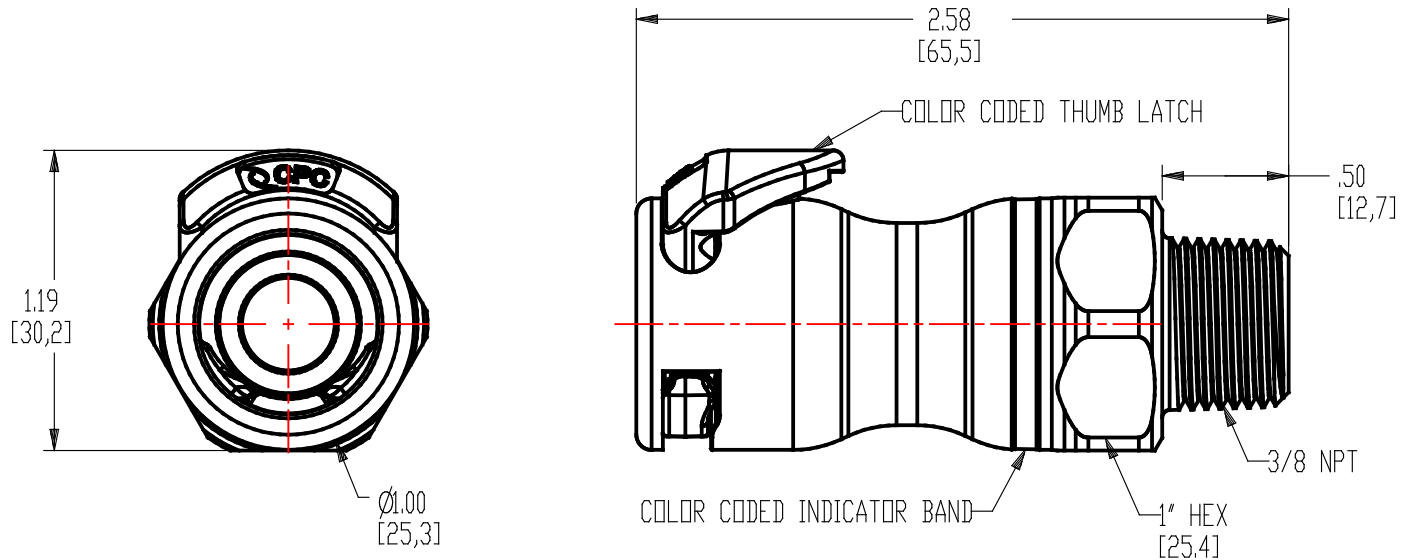
### Features - Benefits

- Non-spill design - Disconnect under pressure with no spills
- Redundant sealing when connected - Extra protection from leaks
- Color-coding - Instant visual difference in cooling lines
- Friction-free valve - Valving system designed for extended periods in connected state
- Enhanced latch design - Easy to see orientation on manifolds and tubing
- Lower ergonomic profile - Meets size requirements for space-constrained electronics



These graphs are intended to give you a general idea of the performance capabilities of each product line. Contact CPC for flow of a particular coupling combination.

**Technical details:**



**Description:** 3/8" NPT Valved In-Line Liquid Cooling Body, Cool Blue

**Materials:**

**Main Components:** Chrome Plated Brass

**Valve:** Natural Polysulfone

**Thumb Latch:** Blue Polysulfone

**Valve Spring:** Stainless Steel

**External Spring:** Stainless Steel

**Seals:** EPDM

**Others:** Blue Polysulfone Indicator Band

**Standard Packaging Quantity:** 10