

PRODUCT SERIES SPECIFICATIONS

Series: LQ4

Category: General Purpose

Pressure: Vacuum to 120 psi, 8.3 bar

Temperature: 0°F to 240°F (-17°C to 115°C)

Spillage & Air Inclusion:

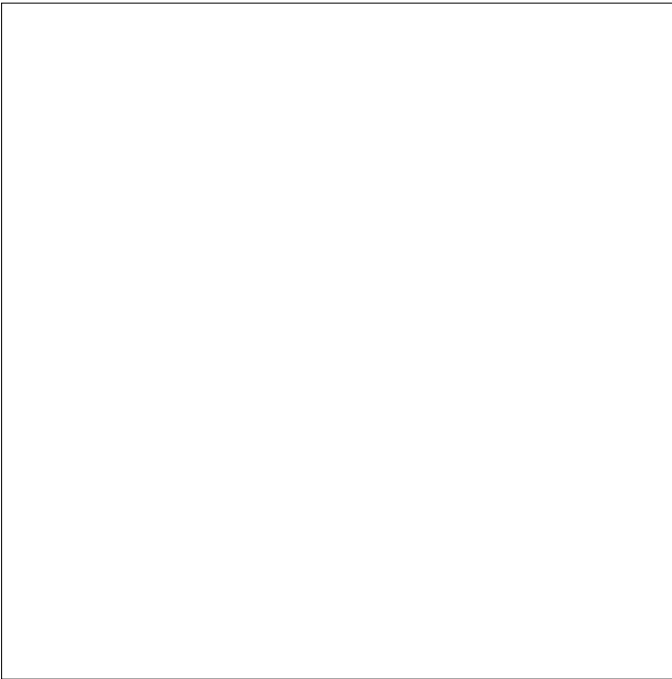
 <0.025 cc per disconnect rated at 0 psi
 <0.055 cc per disconnect rated at 120 psi
 <0.025 cc per connect

Material Compliance

Reach: Compliant

RoHS: Compliant

For more information see cpcworldwide.com or contact us at cpcworldwide.com/ContactUs

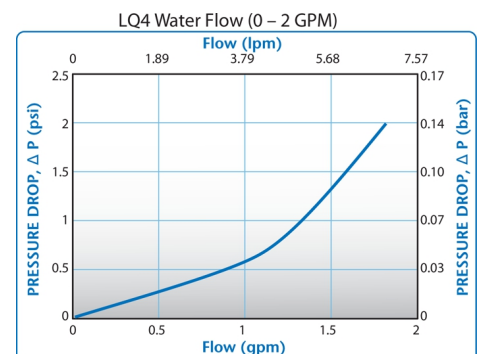
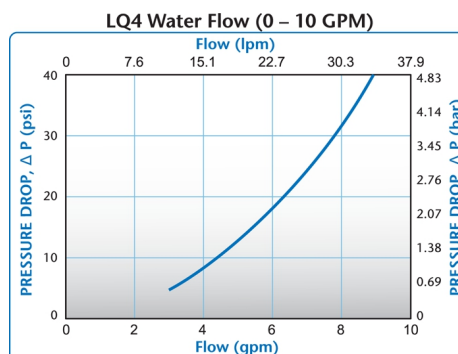
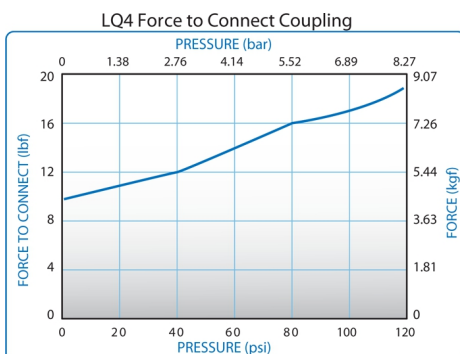


Interactive 3D graphic, click to activate and rotate.

LQ4 Series quick disconnect couplings provide ultra-reliable, dripless connections and disconnections that protect valuable electronics. Designed specifically for liquid cooling applications, LQ4 uses patent-pending valve technology that eliminates drips and is able to withstand long-term use.

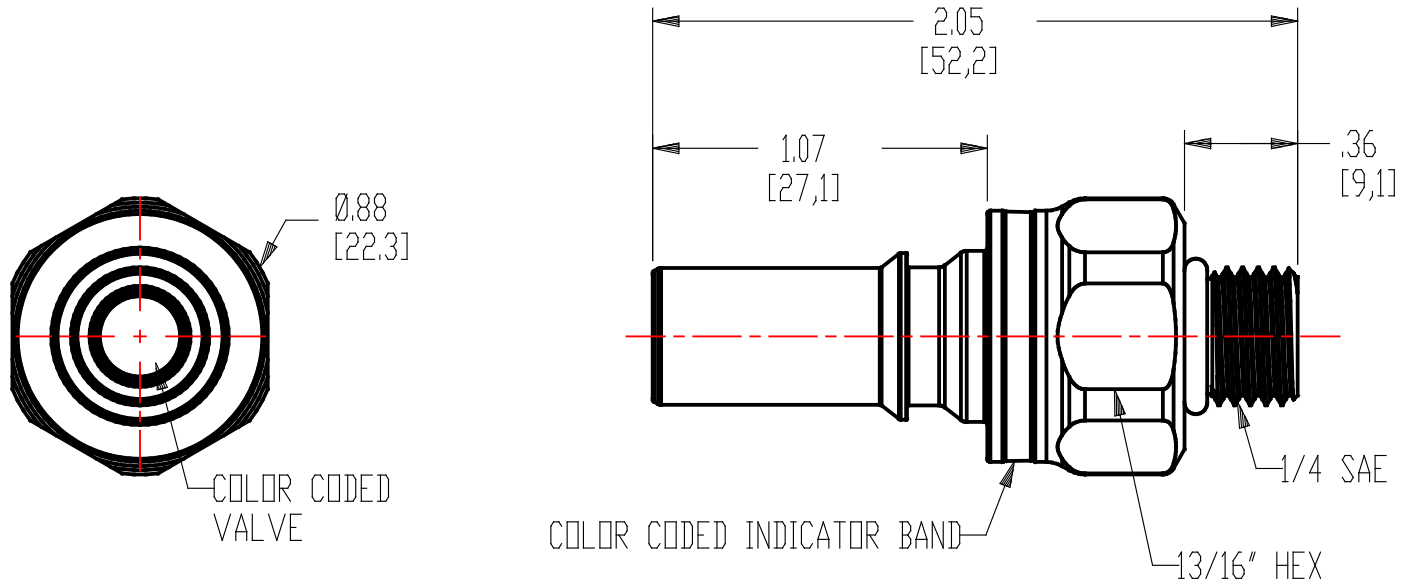
Features - Benefits

- Non-spill design - Disconnect under pressure with no spills
- Redundant sealing when connected - Extra protection from leaks
- Color-coding - Instant visual difference in cooling lines
- Friction-free valve - Valving system designed for extended periods in connected state
- Enhanced latch design - Easy to see orientation on manifolds and tubing
- Lower, ergonomic profile - Meets size requirements for space-constrained electronics



These graphs are intended to give you a general idea of the performance capabilities of each product line. Contact CPC for flow of a particular coupling combination.

Technical details:



Description: 1/4" SAE Valved In-Line Liquid Cooling Insert, Cool Blue

Materials:

Main Components: Chrome Plated Brass

Valve: Blue Polysulfone

Valve Spring: Stainless Steel

Seals: EPDM

Others: LDPE & Vinyl Protective Caps; Blue Polysulfone Indicator Band

Standard Packaging Quantity: 10