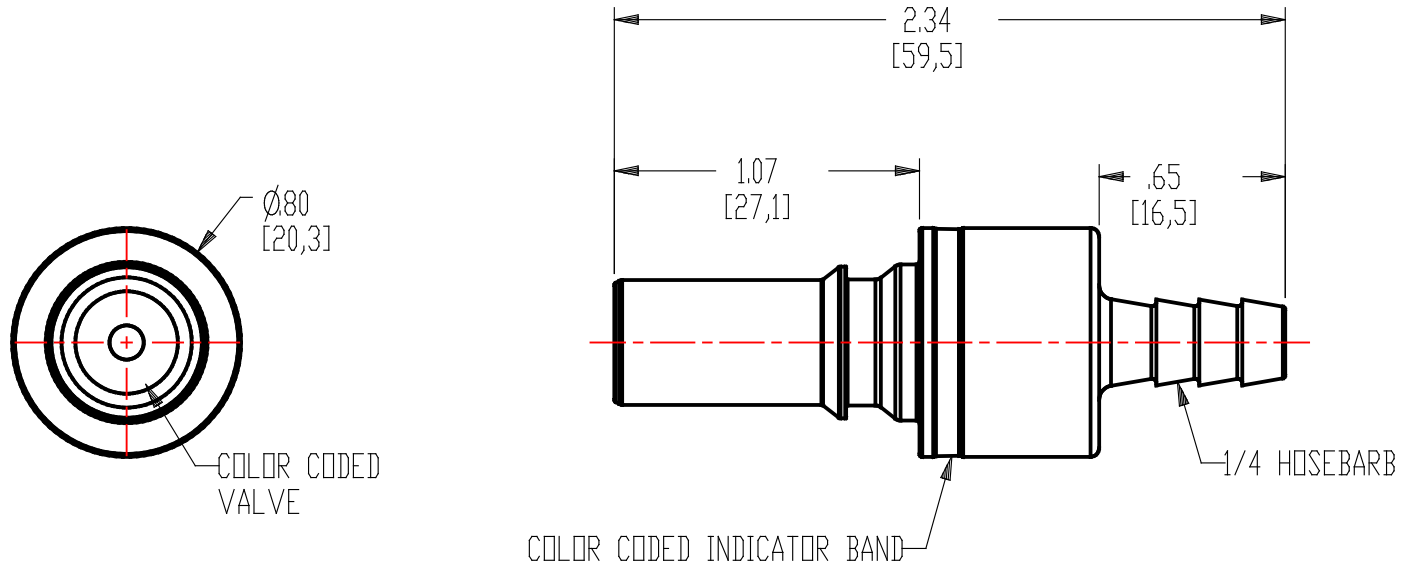


Technical details:



Description: 1/4" Hose Barb Valved In-Line Liquid Cooling Insert, Cool Blue

Materials:

Main Components: Chrome Plated Brass

Valve: Blue Polysulfone

Valve Spring: Stainless Steel

Seals: EPDM

Others: Vinyl Protective Cap; Blue Polysulfone Indicator Band

Standard Packaging Quantity: 10