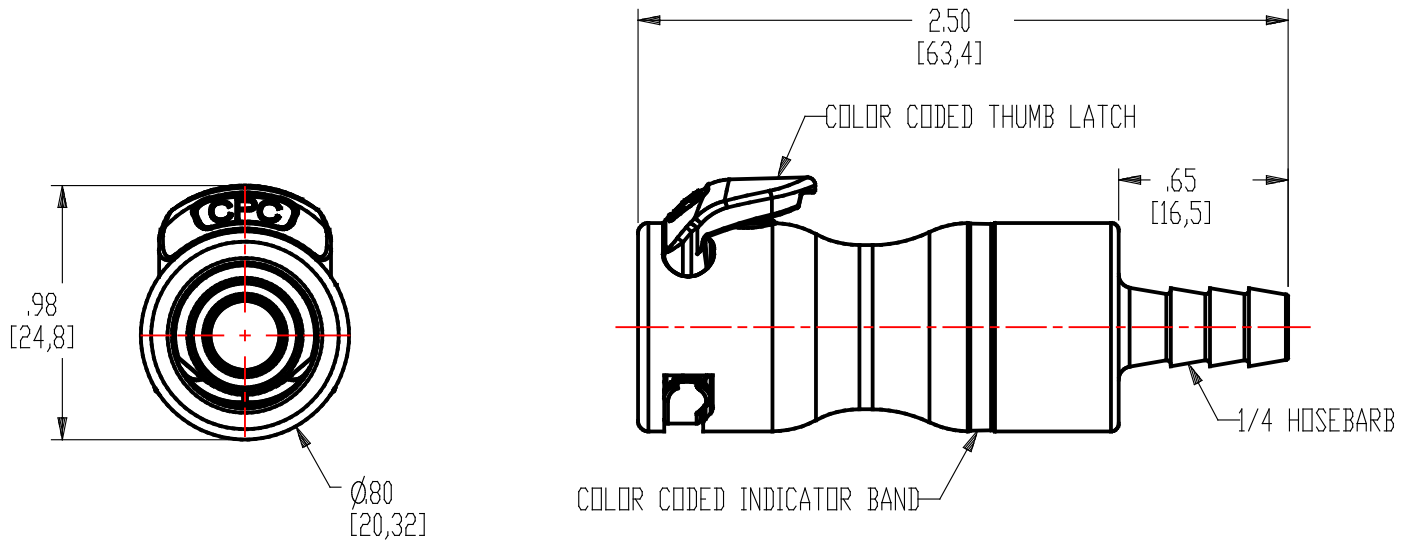




**Technical details:**



**Description:** 1/4" Hose Barb Valved In-Line Liquid Cooling Body, Cool Blue

**Materials:**

**Main Components:** Chrome Plated Brass

**Valve:** Natural Polysulfone

**Thumb Latch:** Blue Polysulfone

**Valve Spring:** Stainless Steel

**External Spring:** Stainless Steel

**Seals:** EPDM (FKM Optional)

**Others:** Blue Polysulfone Indicator Band

**Standard Packaging Quantity:** 10