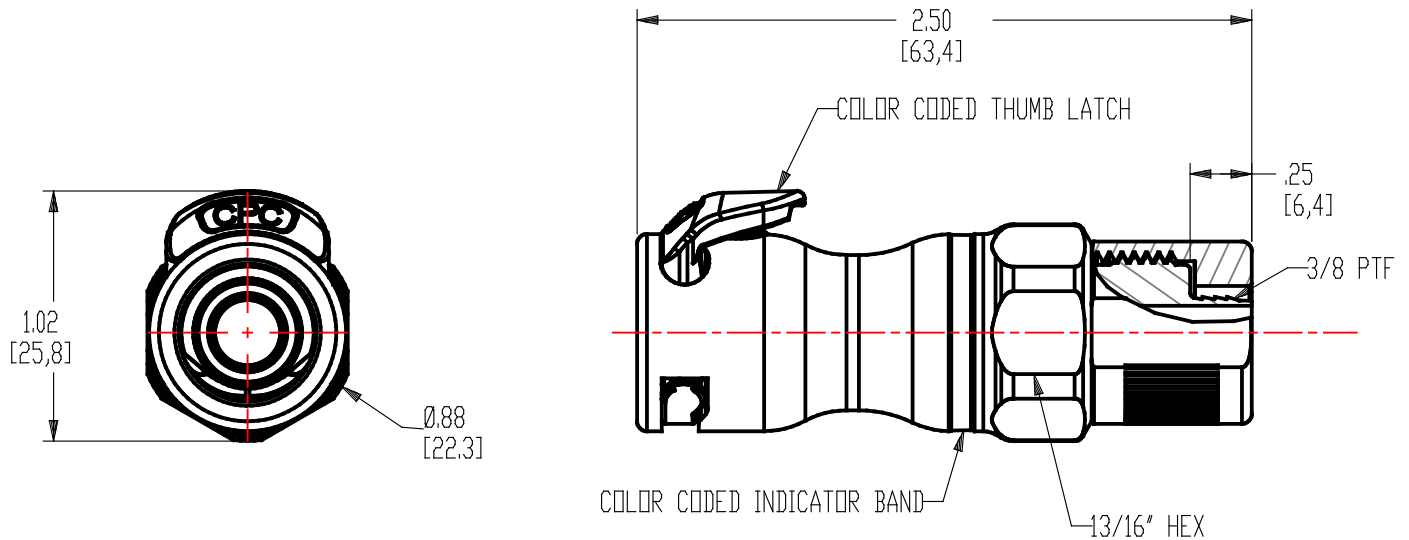


Technical details:



Description: 3/8" PTF Valved In-Line Liquid Cooling Body, Cool Blue

Materials:

Main Components: Chrome Plated Brass

Valve: Natural Polysulfone

Thumb Latch: Blue Polysulfone

Valve Spring: Stainless Steel

External Spring: Stainless Steel

Seals: EPDM

Others: Blue Polysulfone Indicator Band

Standard Packaging Quantity: 10