

## PRODUCT SERIES SPECIFICATIONS

**Series:** LQ

**Category:** General Purpose

**Pressure:** Vacuum to 200 psi, 13.8 bar

**Temperature:** 0°F to 240°F (-17°C to 115°C)

**Spillage & Air Inclusion:** <br> ≤0.015 cc per disconnect at 0 psi and <br> ≤0.063 cc per disconnect rated at 200 psi; <br> ≤0.063 cc per connect

**Material Compliance**

**Reach:** Compliant

**RoHS:** Compliant

For more information see [cpcworldwide.com](http://cpcworldwide.com) or contact us at [cpcworldwide.com/ContactUs](http://cpcworldwide.com/ContactUs)

*Interactive 3D graphic, click to activate and rotate.*

**The LQ2 Series** provides ultra-reliable, dripless connections and disconnections that protect valuable electronics. Designed specifically for liquid cooling applications, the LQ2 offers a high-flow capacity to optimize liquid cooling system performance. LQ2 uses patent-pending valve technology that eliminates drips and is able to withstand long-term use.

### Features - Benefits

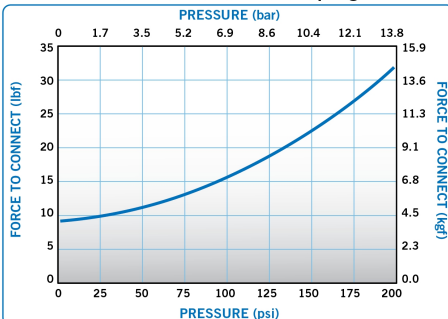
Color-coded thumb latch - Simple, intuitive one-handed operation with visual difference in cooling lines

High flow capacity - Cost-effective fluid handling system

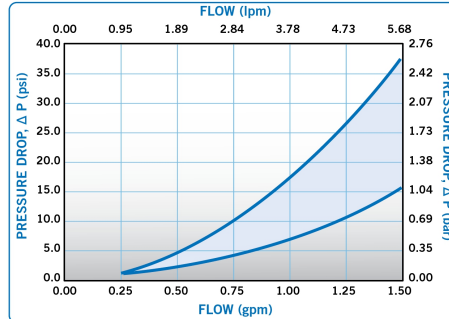
Multi-lobed seals - Redundant protection against leakage and ability to withstand extended periods of connection

Locking hose barb - Quality connection with reinforced tubing used in liquid cooling applications

LQ2 Force to Connect Coupling

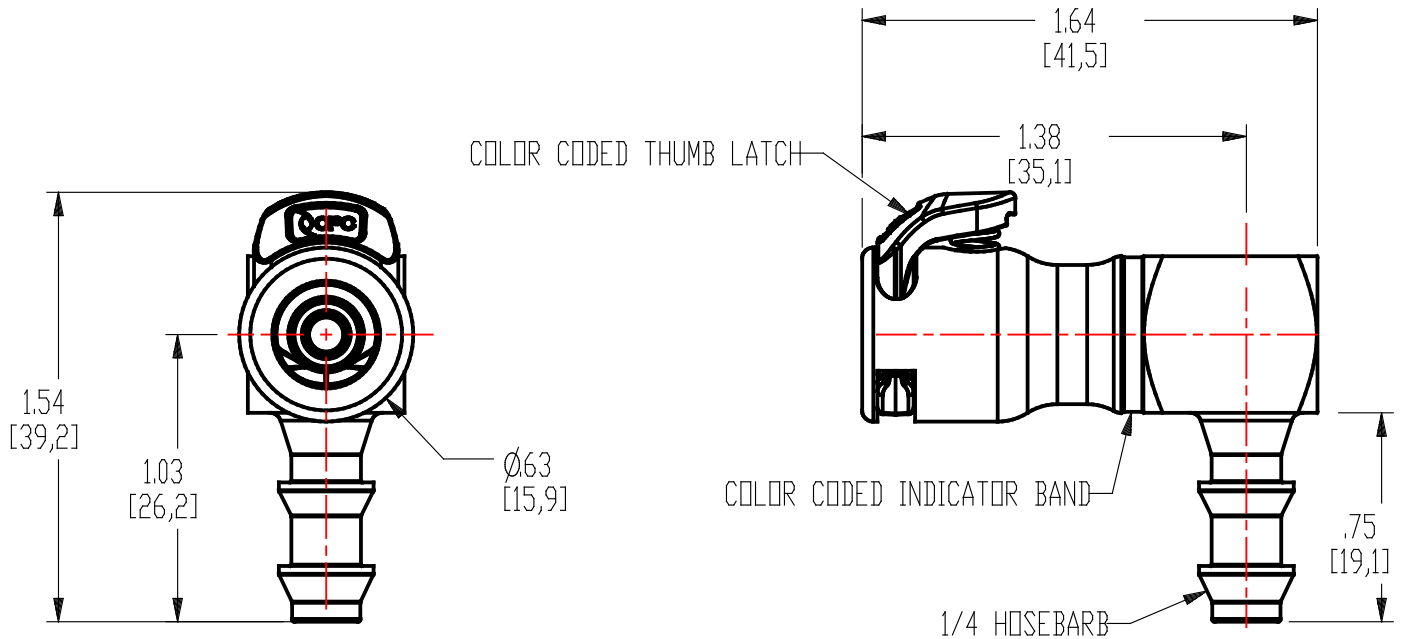


LQ2 Water Flow



These graphs are intended to give you a general idea of the performance capabilities of each product line. Contact CPC for flow of a particular coupling combination.

**Technical details:**



**Description:** 1/4" Locking Hose Barb Valved Elbow Liquid Cooling Coupling Body, Cool Blue

**Materials:**

**Main Components:** Chrome Plated Brass

**Valve:** Natural Colored Polysulfone

**Thumb Latch:** Blue Colored Polysulfone

**Valve Spring:** Stainless Steel

**External Spring:** Stainless Steel

**Seals:** EPDM

**Others:** Blue Colored Polysulfone Indicator Band and Stainless Steel Retaining Ring

**Standard Packaging Quantity:** 10