

PRODUCT SERIES SPECIFICATIONS

Series: LQ

Category: General Purpose

Pressure: Vacuum to 200 psi, 13.8 bar

Temperature: 0°F to 240°F (-17°C to 115°C)

Spillage & Air Inclusion:
 ≤0.015 cc per disconnect at 0 psi and
 ≤0.063 cc per disconnect rated at 200 psi;
 ≤0.063 cc per connect

Material Compliance

Reach: Compliant

RoHS: Compliant

For more information see cpcworldwide.com or contact us at cpcworldwide.com/ContactUs

Interactive 3D graphic, click to activate and rotate.

The LQ2 Series provides ultra-reliable, dripless connections and disconnections that protect valuable electronics. Designed specifically for liquid cooling applications, the LQ2 offers a high-flow capacity to optimize liquid cooling system performance. LQ2 uses patent-pending valve technology that eliminates drips and is able to withstand long-term use.

Features - Benefits

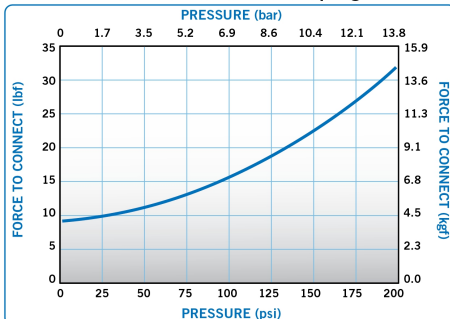
Color-coded thumb latch - Simple, intuitive one-handed operation with visual difference in cooling lines

High flow capacity - Cost-effective fluid handling system

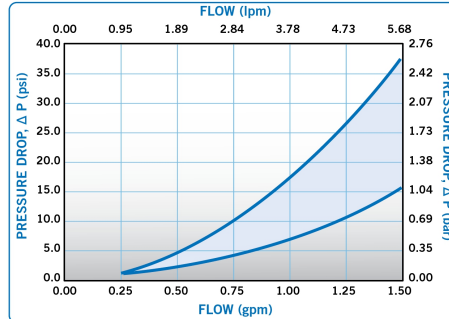
Multi-lobed seals - Redundant protection against leakage and ability to withstand extended periods of connection

Locking hose barb - Quality connection with reinforced tubing used in liquid cooling applications

LQ2 Force to Connect Coupling

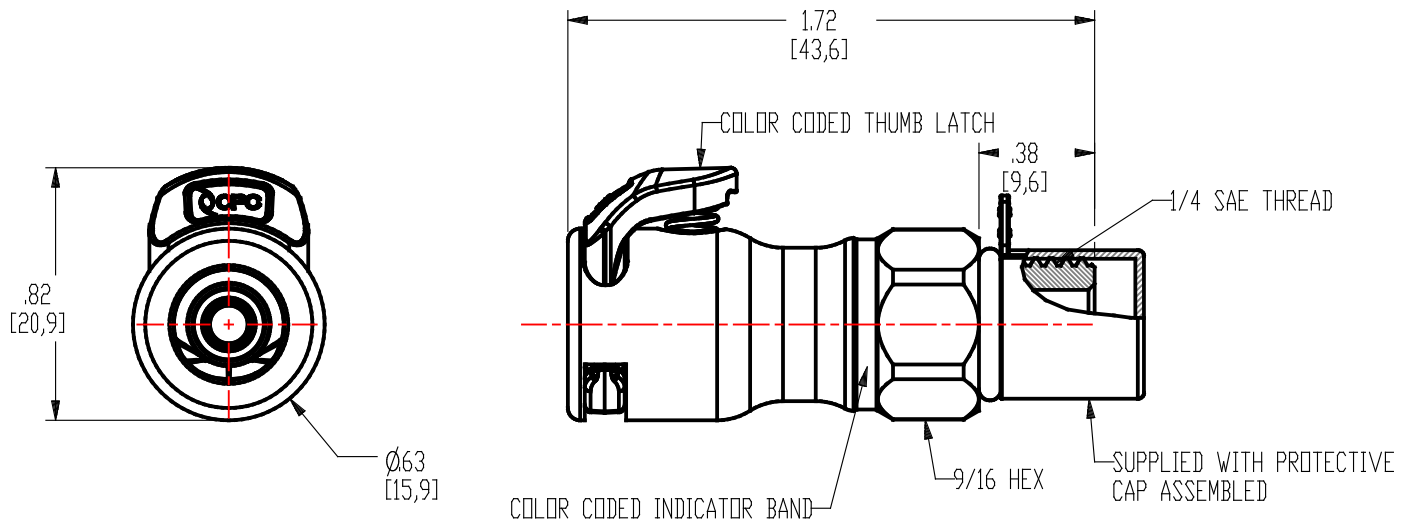


LQ2 Water Flow



These graphs are intended to give you a general idea of the performance capabilities of each product line. Contact CPC for flow of a particular coupling combination.

Technical details:



Description: 1/4" SAE Valved In-Line Liquid Cooling Coupling Body, Cool Blue

Materials:

Main Components: Chrome Plated Brass

Valve: Natural Colored Polysulfone

Thumb Latch: Blue Colored Polysulfone

Valve Spring: Stainless Steel

External Spring: Stainless Steel

Seals: EPDM

Others: Black LDPE Protective Cap, Blue Colored Polysulfone Indicator Band and Stainless Steel Retaining Ring

Standard Packaging Quantity: 10