

WinAIR Differential Pressure Gauges

Differential Gauges

Features

- Resistance-free differential gauge for all air and non-corrosive gas installations
- Industrial grade die-cast aluminum case
- Extreme temperature tolerance with o-ring seal
- Easily accessible re-zero adjustment screw
- 2% full scale accuracy (unless otherwise noted)
- 3 mounting adapters with screws included, other mounting accessories also available
- 5 year warranty

Applications

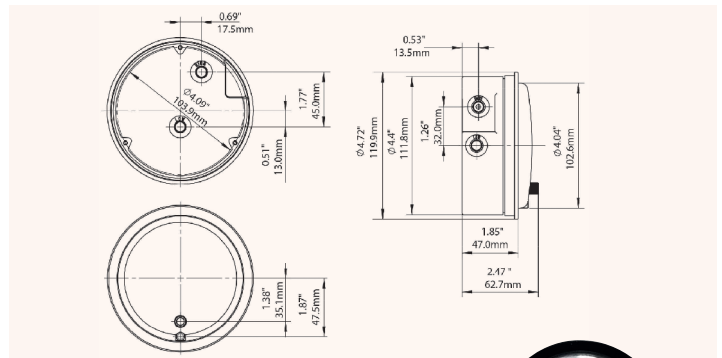
- Low pressure and differential monitoring for air and non-combustible gases including filters, blowers, vacuums, air handlers and clean rooms

Specifications

Connection	1/8" NPTF high & low pressure taps, side & back
Movement	Resistance-free and magnetic
Overall pressure limit	Maximum pressure of 14.5 psi / 100 kPa
Ambient / process temperature	-40°C to 60°C (-40°F to 140°F) -10°C to 60°C (14°F to 140°F)
Accuracy	±2% of full scale value (unless otherwise stated)
Enclosure rating	IP67

Materials

Dial	4" (100 mm), white aluminum with black markings
Case	Die-cast black aluminum
Lens	Polycarbonate, UV Protected
Ring	Threaded die-cast black aluminum
Pointer	Aluminum, anodized black



Die Cast Aluminium Differential Pressure Gauges

4" (101.6 mm) Dial Diameter

4620

Part Number	Thread	Pressure Range	Price
YFPD40501	1/8" NPT	0 – 1.0 kPa	£79.90
YFPD40502	1/8" NPT	0 – 1.5 kPa	£79.90
YFPD40503	1/8" NPT	0 – 2.0 kPa	£79.90
YFPD40505	1/8" NPT	0 – 3.0 kPa	£79.90
YFPD40201*	1/8" NPT	-60 – 0 – 60 PA	£94.35
YFPD40211	1/8" NPT	0 – 60 PA	£92.65
YFPD40212	1/8" NPT	0 – 100 PA	£79.90
YFPD40215	1/8" NPT	0 – 200 PA	£79.90
YFPD40216	1/8" NPT	0 – 250 PA	£79.90
YFPD40217	1/8" NPT	0 – 300 PA	£79.90
YFPD40218	1/8" NPT	0 – 500 PA	£79.90
YFPD40219	1/8" NPT	0 – 750 PA	£79.90

* ±4% of full scale value accuracy

Compact Differential Gauges

Features

- Resistance-free differential gauge for all air and non-corrosive gas installations
- Compact size and easy to read dial
- Industrial grade nylon case
- Easily accessible re-zero adjustment screw
- 5% full scale accuracy
- Mounting bracket with screws included
- 5 year warranty

Applications

- Low pressure and differential monitoring for air and non-combustible gases including filters, blowers, vacuums, air handlers and clean rooms

Installation

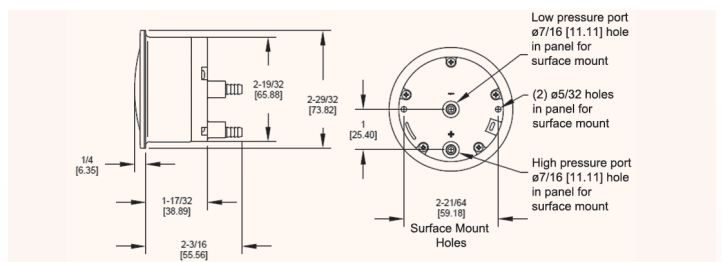
- Only in vertical position

Specifications

Connection	3/16" barbed for ID tubing
Movement	Resistance-free and magnetic
Overall pressure limit	Maximum pressure of 30 psi / 207 kPa
Ambient / process temperature	-7°C to 49°C (20°F to 120°F)
Accuracy	± 5% of full scale
Approvals	CE

Materials

Dial	2 1/16" (52.4 mm), white aluminum with black markings
Case	Glass filled nylon, black
Lens	Polycarbonate, UV Protected
Ring	Threaded die-cast black aluminum
Pointer	Aluminum, anodized black



Compact Differential Pressure Gauges

2" (50.8 mm) Dial Diameter

4620

Part Number	Tube Size	Pressure Range	Price
YFPD20314	3/16" ID	0 – 1.0 kPa	£73.95
YFPD20315	3/16" ID	0 – 3.0 kPa	£73.95
YFPD20213	3/16" ID	0 – 125 PA	£73.95
YFPD20216	3/16" ID	0 – 250 PA	£73.95
YFPD20218	3/16" ID	0 – 500 PA	£73.95



01772 255109



sales@tom-parker.co.uk



www.tom-parker.co.uk

Differential Pressure Switches

Commercial Differential Pressure Switch

Features

- Excellent solution in BAS and HVAC applications requiring monitoring and control
- Low pressure differential switch for monitoring pressure, vacuum and differential pressure of air and other non combustible, non aggressive gases
- Pressure indicating adjustment knob allows for simple field changes without the need of a pressure gauge
- Pressure ranges in both Inches of Water (and Pascals), from 0.08 to 16.0 (20-4,000)
- Single-pole double-throw (SPDT) switch type with 0.01A 250 VAC output
- The compact size allows for hassle-free installation in small areas
- CE, RoHS & REACH compliant
- 5 year warranty
- A HVAC pressure switch is a pressure-detecting instrument used as an automatic safety feature. If you're looking for an HVAC pressure switch, look no further! Winters Instruments Canada offer some of the top-performing HVAC pressure switches in the market.

Applications

- Field applications include: monitoring air filters and ventilators, overheating protection for fan heaters and controlling air and fire protection flaps, protection for heat exchangers, flow in ventilation ducts and controlling

Specifications

Pressure connection	2 x plastic pipe connection, 6.0 mm (1/4") external diameter, labelled P1 & P2
Electrical connection	Flat plug 6.3 mm x 0.8 mm or push-on screw terminals with PG-11 or M20x1.5 cable strain relief
Deadband accuracy	+/- 15% of upper and lower pressure ratings
Wetted parts	Silicone based diaphragm, tempered at 200°C
Set point adjustment	Field adjustable knob
Contact rating	1.0A 250VAC output, 0.1A 24VDC (low voltage version)
Number of contacts	Single-pole double-throw (SPDT)
Maximum operating pressure	1.45 psi (10 kPa)
Ambient / process temperature	-20°C to 85°C (-4°F to 185°F)
Storage temperature	-40°C to 85°C (-40°F to 185°F)
Enclosure rating	IP54
Approvals	CE, RoHS & REACH compliant
Typical life	Over 10 ⁸ switching operations
Weight	150g with cover, 110g without cover
Mounting position	Vertical installation with pressure connections pointing downwards

Materials

Housing	Grey colour Polyamide 6.6 plastic
Window cover	Frosted Polystyrene resin

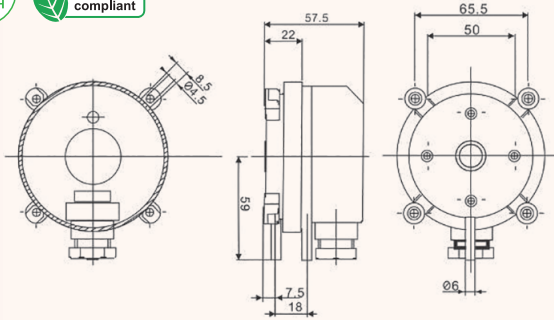
Air Differential Pressure Switch



4620

Part Number	Thread	Pressure Range	Price
YWPS0200	1/4" smooth push-fit connection	20 – 200 PA	£16.00
YWPS0500	1/4" smooth push-fit connection	50 – 500 PA	£16.00

*The WPS pressure switches have 2 smooth push-fit plastic pipe connections, with a cable gland on the electrical connection.



01772 255109



sales@tom-parker.co.uk



www.tom-parker.co.uk