

## PRODUCT SERIES SPECIFICATIONS

**Series:** BLQ6

**Category:** Liquid Cooling

**Pressure:** Vacuum to 120 psi, 8.3 bar

**Temperature:** 0°F to 240°F (-17°C to 115°F)

**Axial Mis-alignment:** 1 mm max.

**Spillage:**

0.03 cc per disconnect rated at 0 psi

0.03 cc per disconnect rated at 120 psi

**Air Inclusion:** 0.22 cc per connect

**Material Compliance**

**Reach:** Compliance

**RoHS:** Compliance

For more information see [cpcworldwide.com](http://cpcworldwide.com) or contact us at [cpcworldwide.com/ContactUs](http://cpcworldwide.com/ContactUs)

*Interactive 3D graphic, click to activate and rotate.*

**Everis™ BLQ6 quick disconnect couplings** provide ultra-reliable, no-drip connections for thermal management to help protect valuable electronic systems. Designed specifically for blind mate liquid cooling applications, the BLQ6 Series uses patent pending valve technology that eliminates drips and is specifically designed to withstand long-term connection. An optional accessory kit is available for panel mount connections.

## Features - Benefits

Non-spill design - Disconnect under pressure

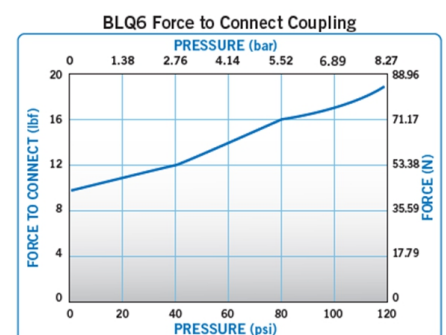
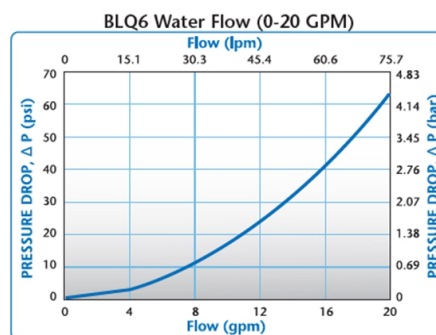
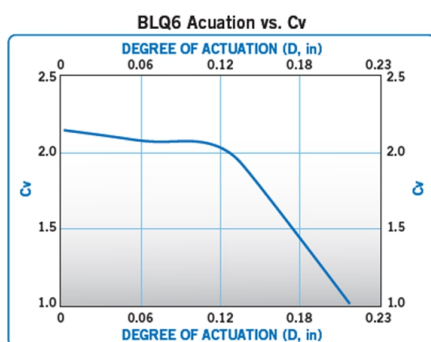
Redundant seals - Extra protection from contaminants and debris when couplers are connected

Friction-free valve - Provides reliability for extended periods of operation

Rugged anodized aluminum - Able to withstand long-term, ongoing and repeated use

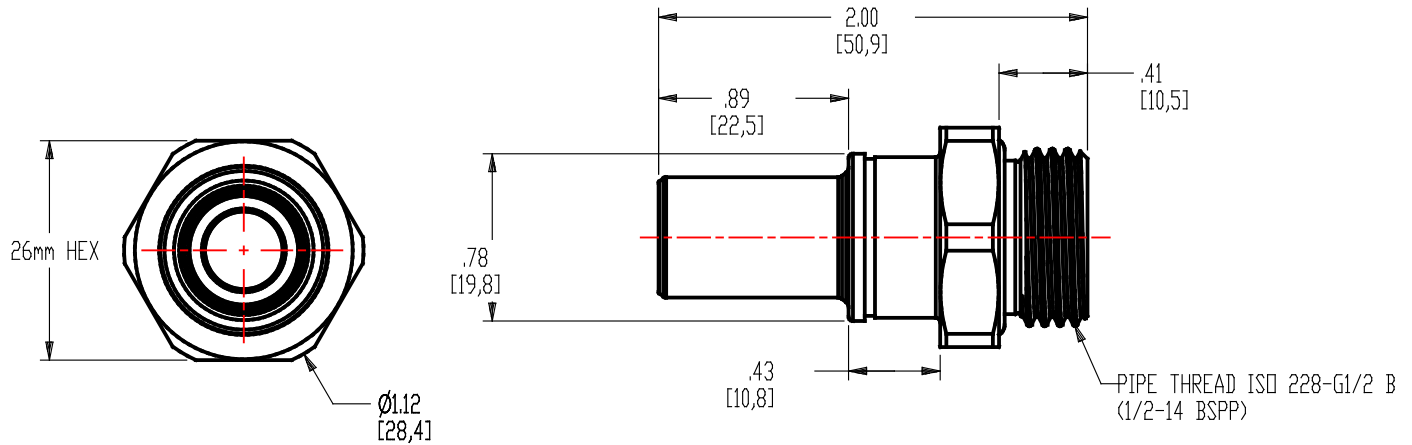
Axial engagement tolerance - Allows full flow even when not fully engaged

Optional panel mount kit - Enables either the body, insert or both to be panel mounted



These graphs are intended to give you a general idea of the performance capabilities of each product line. Contact CPC for flow of a particular coupling combination.

**Technical details:**



**Description:** G 1/2 Valved In-Line Insert BLQ6

**Materials:**

**Main Components:** Aluminum

**Valve:** Polysulfone

**Valve Spring:** Stainless Steel

**Seals:** EPDM

**Optional Panel Mount Kit P/N:** BLQ6PMKIT